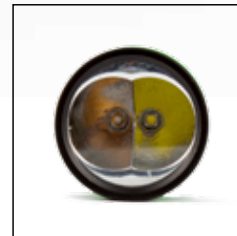




**VECTOTHOR™**  
FLYING INSECT CONTROL

# DUAL POWERLIGHT (UV-A)



**Parallel to rodents becoming an ever growing problem in the bigger part of the world, the need for good monitoring tools grows as well.**

- *Where do they stay?*
- *How do they enter the building?*
- *But also: How do they move through the premises?*



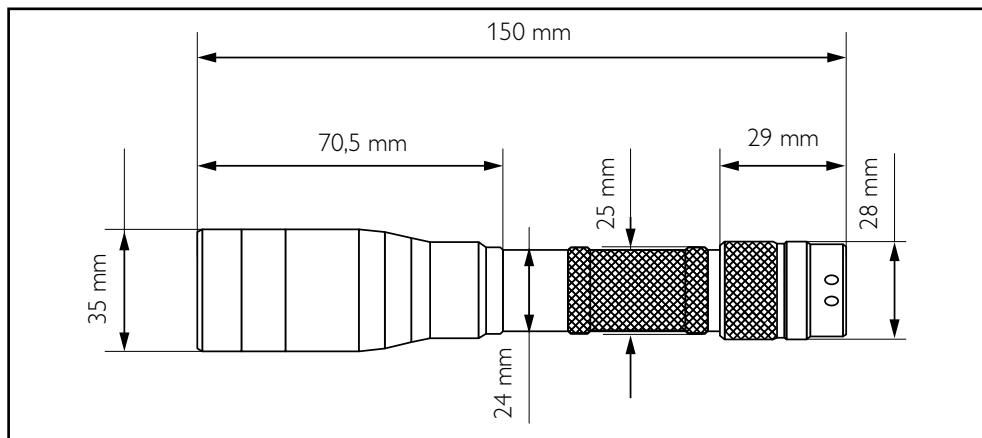


# DUAL POWERLIGHT (UV-A)

## Technical specifications

Name	Dual PowerLight
UV-A power & White power LED	5 & 5 watt
Light source	UV-A LED (made in Korea) & white Cree LED XPG2 LED (300 Lumen)
Modes	2 modes (White LED full on and UV-A LED full on)
Dimension flashlight (length x diameter)	150 x 35 mm
Voltage handling PCB	3 V – 6 V (suited for 2 x CR123 or 1 x 18650 battery)

Weight excl battery	134 g.
Weight incl battery	184 g.
Weight, incl battery and charger	278 g.
Gross Weight box	480 g.



IP level	IPX8 (weather proof)
Material & Finishing	Aluminum T6061, Premium Type III hard-anodized abrasive finish
Battery type	18650 Li-Ion rechargeable from Panasonic
Operational hours on 1 battery charge	6 hrs (indicative)
Charger	100-240 V / 50-60 Hz
Lifetime LED's	20.000 hrs
Guarantee	2 years, excluding mechanical defects
Color	Black
Switch	Tail switch (sealed silicon) in black color
Handling	Full grip / Anti-drop design
Tested drop height	1,5 m
Reflector	High temp, vacuum coated diffusor
Manual	Included in English
Carrying strap	Included in the box
Night reflector	Green reflection strip, which glows in the dark
Packing	Cardboard, full color box
Dimension Packing L x W x D	211 x 152 x 52 mm / 8,3 x 6 x 2 inch
Belt holster	

